

# FLUXengine LED Wiring Examples

**Please note:** Only properly qualified personnel may carry out the installation and maintenance of live components. Properly qualified personnel are those who are familiar with the assembly, installation, commissioning and operation of the product and must have the relevant qualifications. Please refer to the data sheet and application notes of this product.

Hereinafter lined out a couple of popular options to connect FLUXengine with different drivers. We generally recommend series wiring

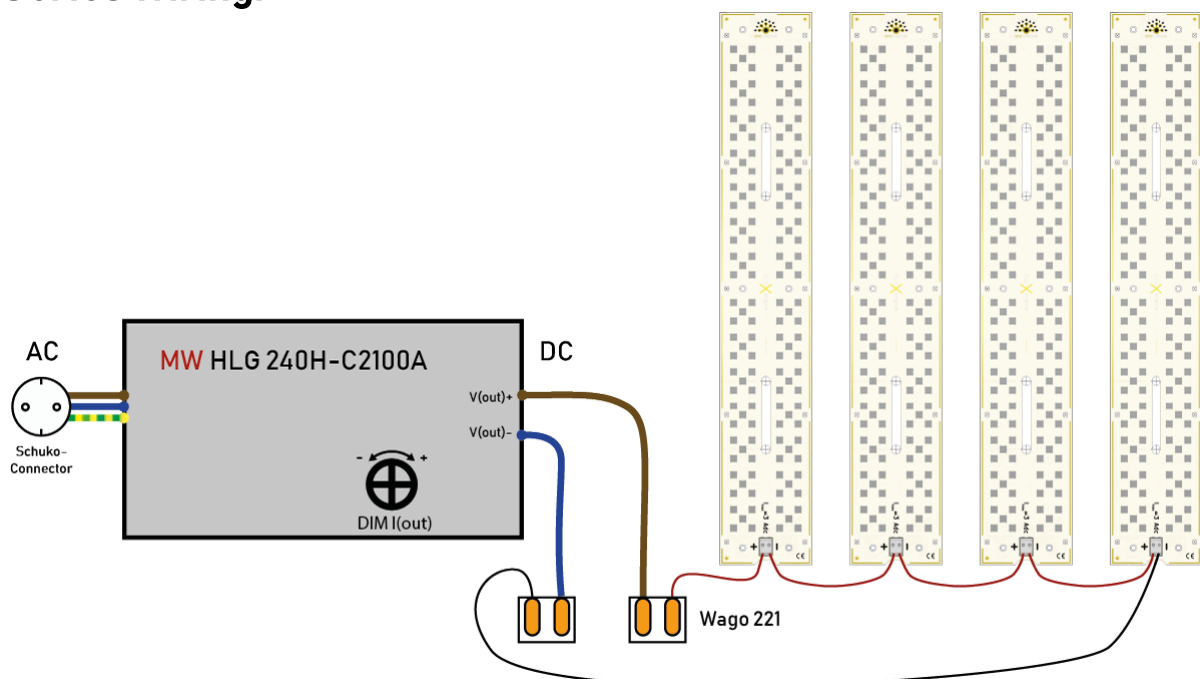
Which scheme to choose depends on the LED driver model. We recommend MEAN WELL HLG and ELG series drivers.

**Series wiring:** HLG-XXXH-CXXXXAB, ELG-XXX-CXXXXAB

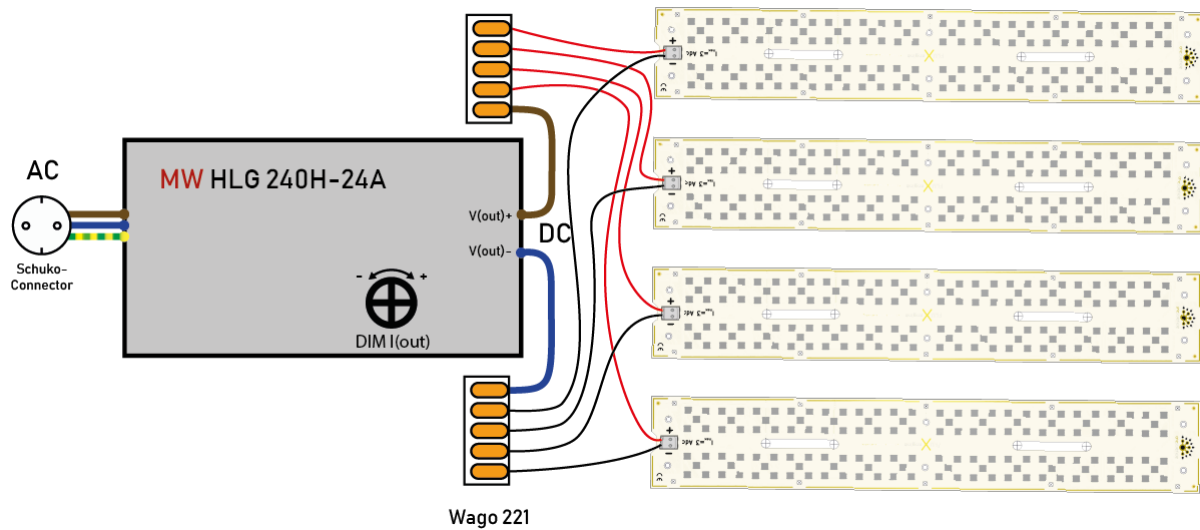
**Parallel wiring:** HLG-XXXH-24AB, ELG-XXX-24AB

**Hybrid:** HLG-XXXH-42AB, ELG-XXX-42AB

## Series Wiring:



## Parallel Wiring:



## Hybrid of Series and Parallel Wiring:

